



Parker Smartkrimp™

HoseCrimper - TH8E-100



ENGINEERING YOUR SUCCESS.

Parker Smartkrimp

Hose Press TH8E- 100

Portable, easy-to-use hose crimper – the best solution to crimp Parker No-skive hose and fittings.

- Mobile service crimper
- Operation with hand, air hydraulic or electric pump
- 10 sets of dies (included) for 7 different series of fittings
- For steel and stainless steel fittings
- Innovative APP Transfer of crimp parameters
- PLC Bluetooth interface for the APP function
- Always up-to-date crimp parameters in the APP
- Power supply CAS BATTERY (not included)



TH8E- 100

The Smartkrimp crimps Parker steel and stainless steel fittings and hydraulic hose with:

- 1 and 2 steel wire hoses up to size -16
- 4 layers of spiral and compact spiral hose up to size -16
- Textile wire hoses up to size -16

Fitting series

43, 46, 48, 56, 70, 77, F6

Dimensions W x L x H: 496 x 400 x 290 mm

Weight 43 kg Pressing force 1000 KN

The Parker logo, consisting of a stylized 'P' followed by the word 'Parker' in a bold, sans-serif font.

HoseCrimper

SMARTKRIMP

ACCESSORIES:



CAS LIHD Akku 18V / 8Ah
TH8E-100-BAT08



CAS LIHD Akku 18V / 10Ah
TH8E-100-BAT10



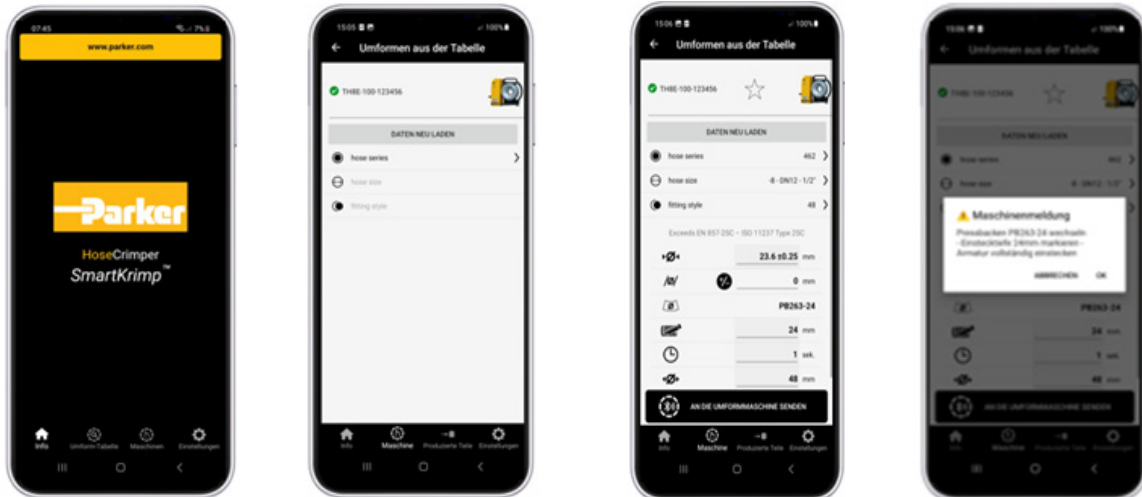
Fast charger ASC 145 , 12-36 V, "AIR COOLED"
TH8E-100-BCH145-EU



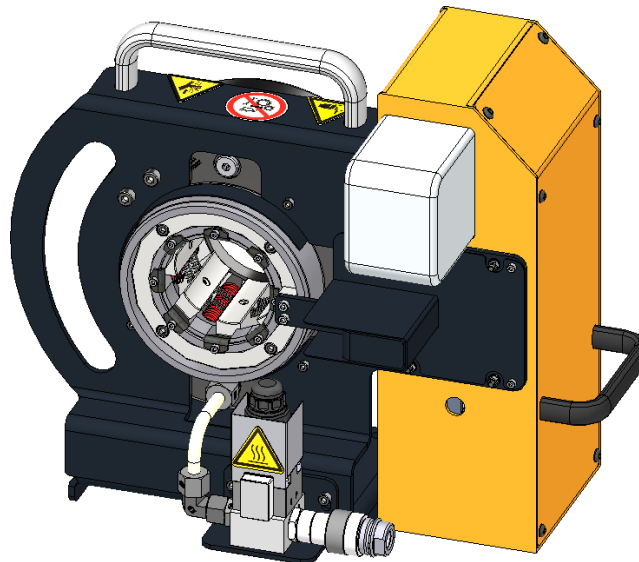
2 x 18V LiHD 8.0 Ah + Lader
ASC 145 and metaBOX
TH8E-100-BKIT08

Parker Smartkrimp

Easy setup of modern crimper with mobile devices via Bluetooth.



Once the machine has been selected, it is very easy to select the hose type, the corresponding fitting series and hose size. Then you will be shown the necessary parameters for crimping. After checking and confirming a machine message with "OK", it is then transmitted to the machine by Bluetooth and the crimping process on the machine can be started



The Krimper itself can be driven with our well-known pumps with max. operating pressure of 70 MPa of the Parkrimp series. For the PLC interface and the Bluetooth function, it is necessary to equip the machine with a rechargeable battery. We have opted for the CAS version and can offer you above mentioned batteries and accessories (if not available).

European Headquarters
La Tuilière 6, 1163 Etoy,
Switzerland
Tel: +41 21 821 85 00

